



# Tubería Eléctrica y Accesorios

**Protelcr**  
Materiales Eléctricos

## Anclaje de cuña



- 12300                      3/8 X 3
- 38300 (Sin camisa)      3/8 X 3

## Anclaje cuña



- WA12234                      1/2 1/2x2-3/4
- WA14214                      1/4 1/4x2-1/4
- WA38214                      3/8 3/8x2-1/4

## Anclaje doble expansión



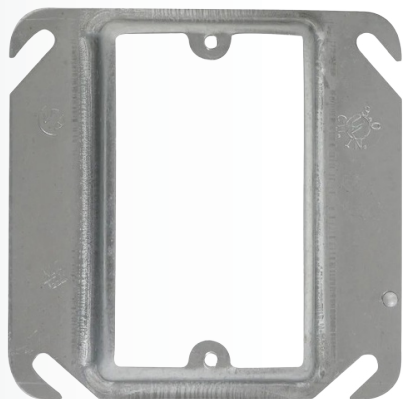
- DEA12                      1/2-13 1/2x 7/8 x 2 1/2
- DEA14                      1/4-20 1/4x1/2x1-3/8
- DEA38                      3/8-16 3/8x 3/4 x 2

## Anclaje de rosca interna



- MDROP12                      1/2 x 1
- MDROP38                      3/8 x 3/4

## Aro de repello 1 gang



- E52C0 (plano) 4x4"
- E52C10 (con relieve) 1/4"
- E52C13 (con relieve) 1/2"

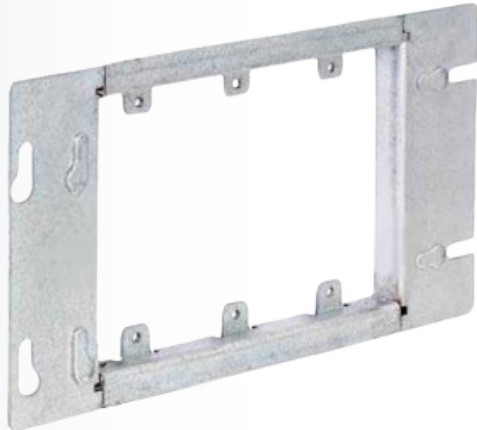
## Aro de repello 2 gang



- E52C00 (plano) 4x4"
- E52C17 (con relieve) 1/2"
- E52C20 (con relieve) 1/4"



## Aro de repello 3 gang



- AR3G

## Aro de repello 4 gang



- AR4G

## Caja rectangular



- CR050 1/2"
- CR050075 1/2" y 3/4"
- CR050075P 1/2" y 3/4" pesada
- CR075 3/4"

## Caja rectangular para intemperie



- CI1G3H050 (3 huecos) 1/2"
- CI1G3H075 (3 huecos) 3/4"
- CI1G4H050 (4 huecos) 1/2"
- CI1G4H075 (4 huecos) 3/4"
- CI1G5H050 (5 huecos) 1/2"
- CI1G5H050X (5 huecos) 1/2" en X

## Caja cuadrada



- CC050 1/2"
- CC050075 1/2 y 3/4"
- CC075 3/4"
- CCDF050 1/2 x 1/2
- CCDF050075 1/2 y 3/4
- CCDF100 Doble fondo de 4x4

## Caja octagonal



- CO050 1/2"
- CO050075 1/2" y 3/4"
- CO075 3/4"

## Caja cuadrada



- CI2G3H050 (3 huecos) 1/2"
- CI2G3H075 (3 huecos) 3/4"
- CI2G4H050 (4 huecos) 1/2"
- CI2G4H075 (4 huecos) 3/4"
- CI2G5H050 (5 huecos) 1/2"
- CI2G5H050X (5 huecos) 1/2" en X
- CI2G5H075 (5 huecos) 3/4"
- CI2G5H075X (5 huecos) 3/4" en X

## Placa ciega para caja rectangular intemperie



- ARIBC



## Placa ciega para caja cuadrada intemperie



- AR2BC

## Barra roscada galvanizada



- BAR12X3M      1/2 x 3mts
- BAR14X3M      1/4 x 3mts
- BAR38X3M      3/8 x 3mts

## Barra roscada inoxidable



- BAR12X3MSS      1/2 x 3mts
- BAR516X3MSS      5/16 x 3mts

## Anchalaje mini drop rosca interna



- MDROP12      1/2 x 1"
- MDROP38      3/8 x 3/4"

## Espander tipo drop para barra roscada



- DROPI4                      1/4"
- DROP38                      3/8"

## Tuerca con puesta a tierra



- GBHG050                      012mm (1/2)
- GBHG075                      018mm (3/4)
- GBHG100                      025mm (1)
- GBHG125                      031mm (1 1/4)
- GBHG150                      038mm (1 1/2)
- GBHG250                      062mm (2 1/2)
- GBHG300                      075mm (3)

## Conduleta C



- |               |              |
|---------------|--------------|
| • CONDEMTC050 | 012mm, 1/2   |
| • CONDEMTC075 | 019mm, 3/4   |
| • CONDEMTC100 | 025mm, 1     |
| • CONDEMTC125 | 031mm, 1-1/4 |
| • CONDEMTC150 | 038mm, 1-1/2 |
| • CONDEMTC200 | 050mm, 2     |
| • CONDEMTC250 | 062mm, 2-1/2 |
| • CONDEMTC300 | 075mm, 3     |
| • CONDEMTC400 | 100mm, 4     |

## Conduleta LB



- |                |              |
|----------------|--------------|
| • CONDEMTLB050 | 012mm, 1/2   |
| • CONDEMTLB075 | 019mm, 3/4   |
| • CONDEMTLB100 | 025mm, 1     |
| • CONDEMTLB125 | 031mm, 1-1/4 |
| • CONDEMTLB150 | 038mm, 1-1/2 |
| • CONDEMTLB200 | 050mm, 2     |
| • CONDEMTLB250 | 062mm, 2-1/2 |
| • CONDEMTLB300 | 075mm, 3     |
| • CONDEMTLB400 | 100mm, 4     |



## Conduleta LL



- |                |              |
|----------------|--------------|
| • CONDEMTLL050 | 012mm, 1/2   |
| • CONDEMTLL100 | 025mm, 1     |
| • CONDEMTLL125 | 031mm, 1-1/4 |
| • CONDEMTLL150 | 038mm, 1-1/2 |
| • CONDEMTLL200 | 050mm, 2     |
| • CONDEMTLL250 | 062mm, 2-1/2 |
| • CONDEMTLL300 | 075mm, 3     |
| • CONDEMTLL400 | 100mm, 4     |

## Conduleta RL



- |                |              |
|----------------|--------------|
| • CONDEMTLR050 | 012mm, 1/2   |
| • CONDEMTLR075 | 019mm, 3/4   |
| • CONDEMTLR100 | 025mm, 1     |
| • CONDEMTLR125 | 031mm, 1-1/4 |
| • CONDEMTLR150 | 038mm, 1-1/2 |
| • CONDEMTLR200 | 050mm, 2     |
| • CONDEMTLR250 | 062mm, 2-1/2 |
| • CONDEMTLR300 | 075mm, 3     |
| • CONDEMTLR400 | 100mm, 4     |

## Conduleta T



- |               |              |
|---------------|--------------|
| • CONDEMTT050 | 012mm, 1/2   |
| • CONDEMTT075 | 019mm, 3/4   |
| • CONDEMTT100 | 025mm, 1     |
| • CONDEMTT125 | 031mm, 1-1/4 |
| • CONDEMTT150 | 038mm, 1-1/2 |
| • CONDEMTT200 | 050mm, 2     |
| • CONDEMTT250 | 062mm, 2-1/2 |
| • CONDEMTT300 | 075mm, 3     |
| • CONDEMTT400 | 100mm, 4     |

## Tubo biex metálico con forro metro



- |                |              |
|----------------|--------------|
| • BXHGCF050MUL | 012mm, 1/2   |
| • BXHGCF075    | 019mm, 3/4   |
| • BXHGCF100    | 025mm, 1     |
| • BXHGCF125    | 031mm, 1-1/4 |
| • BXHGCF150    | 038mm, 1-1/2 |
| • BXHGCF200    | 050mm, 2     |
| • BXHGCF250    | 062mm, 2-1/2 |
| • BXHGCF300    | 075mm, 3     |
| • BXHGCF400    | 100mm, 4     |

## Tubo biex metálico con forro 7.62 mts



- BXHGCF200UL            50 mm, 2
- BXHGCF250UL            62 mm, 2 1/2
- BXHGCF300UL            75 mm, 3
- BXHGCF400UL            100mm, 4
- BXHGCF200R            050mm, 2 sin forro

## Tubo biex metálico rollo de 10 mts



- BXHGCF400RO            100mm, 4, con forro
- BXHGCF250RO            062mm, 2-1/2, sin forro

## Tubo biex metálico rollo de 15.25 mts



- BXHGCF125RO 031mm, 1-1/4, con forro
- BXHGCF125RO 031mm, 1-1/4, sin forro
- BXHGCF200RO 050mm, 2, sin forro

## Tubo biex metálico rollo de 30.5 mts



- BXHGCF050UL 012mm, 1/2, con forro
- BXHGCF075UL 019mm, 3/4, con forro
- BXHGCF100UL 025mm, 1, con forro
- BXHGCF125C 031mm, 1-1/4, con forro
- BXHGCF125C 031mm, 1-1/4, sin forro
- BXHGCF125C 012mm, 1/2, sin forro
- BXHGCF125C 019mm, 3/4, sin forro
- BXHGCF125C 025mm, 1, sin forro
- BXHGCF125C 012mm, 1/2, con forro
- BXHGCF125C 019mm, 3/4, con forro
- BXHGCF125C 025mm, 1, con forro
- BXHGCF125C 031mm, 1-1/4, con forro
- BXHGCF125C 031mm, 1-1/4, sin forro
- BXHGCF125C 050mm, 2, sin forro



## Tubo biex Non-Metallic



- BXPVC050 1/2
- BXPVC075 3/4
- BXPVC100 1
- BXPVC125 1 1/4
- BXPVC150 1 1/2
- BXPVC200 2

## Tubo biex rollo Non-Metallic



- BXPVC200RO 2, Rollo de 7.62 mts
- BXPVC125RO 1 1/4 Rollo de 15.24 mts
- BXPVC075RO 3/4 Rollo de 30 mts
- BXPVC050RO 1/2 Rollo de 30.5 mts

## Dobladora para tubo EMT



- EB1 012mm, 1/2
- EB2 039mm, 3/4
- EB3 025mm, 1

## Conector para tubo biex con forro, curvo 90°



- CBXCFCV050 012mm, 1/2
- CBXCFCV075 019mm, 3/4
- CBXCFCV100 025mm, 1
- CBXCFCV125 031mm, 1-1/4
- CBXCFCV150 038mm, 1-1/2
- CBXCFCV200 050mm, 2
- CBXCFCV250 062mm, 2-1/2
- CBXCFCV300 075mm, 3
- CBXCFCV400 100mm, 4

## Conector para tubo biex sin forro, curvo 90°



- |              |              |
|--------------|--------------|
| • CBXSFCV050 | 012mm, 1/2   |
| • CBXSFCV075 | 019mm, 3/4   |
| • CBXSFCV100 | 025mm, 1     |
| • CBXSFCV125 | 031mm, 1-1/4 |
| • CBXSFCV150 | 038mm, 1-1/2 |
| • CBXSFCV200 | 050mm, 2     |
| • CBXSFCV250 | 062mm, 2-1/2 |
| • CBXSFCV300 | 075mm, 3     |
| • CBXSFCV400 | 100mm, 4     |

## Conector para tubo biex PVC, curvo 90°



- |               |              |
|---------------|--------------|
| • CBXPVCCV050 | 012mm, 1/2   |
| • CBXPVCCV075 | 019mm, 3/4   |
| • CBXPVCCV100 | 025mm, 1     |
| • CBXPVCCV125 | 031mm, 1-1/4 |
| • CBXPVCCV150 | 038mm, 1-1/2 |
| • CBXPVCCV200 | 050mm, 2     |

## Conector para tubo biex con forro, recto



- CBXCFRT050 012mm, 1/2
- CBXCFRT075 019mm, 3/4
- CBXCFRT100 025mm, 1
- CBXCFRT125 031mm, 1-1/4
- CBXCFRT150 038mm, 1-1/2
- CBXCFRT200 050mm, 2
- CBXCFRT250 062mm, 2-1/2
- CBXCFRT300 075mm, 3
- CBXCFRT400 100mm, 4

## Conector para tubo biex sin forro, recto



- CBXSFRT050 012mm, 1/2
- CBXSFRT075 019mm, 3/4
- CBXSFRT100 025mm, 1
- CBXSFRT125 031mm, 1-1/4
- CBXSFRT150 038mm, 1-1/2
- CBXSFRT200 050mm, 2
- CBXSFRT250 062mm, 2-1/2
- CBXSFRT300 075mm, 3
- CBXSFRT400 100mm, 4



## Conector para tubo biex PVC, recto



- CBXPVCRT050      012mm, 1/2
- CBXPVCRT075      019mm, 3/4
- CBXPVCRT100      025mm, 1
- CBXPVCRT125      031mm, 1-1/4
- CBXPVCRT150      038mm, 1-1/2
- CBXPVCRT200      050mm, 2

## Conector EMT para Cable MC Armado



- CEMTMC038      3/8
- CEMTMC050      1/2
- CEMTMC075      3/4

## Conector de presión para tubería EMT



- |            |              |
|------------|--------------|
| • CPEMT050 | 012mm, 1/2   |
| • CPEMT075 | 019mm, 3/4   |
| • CPEMT100 | 025mm, 1     |
| • CPEMT125 | 031mm, 1-1/4 |
| • CPEMT150 | 038mm, 1-1/2 |
| • CPEMT200 | 050mm, 2     |
| • CPEMT250 | 062mm, 2-1/2 |
| • CPEMT300 | 075mm, 3     |
| • CPEMT400 | 100mm, 4     |

## Conector Hub para tubería IMC



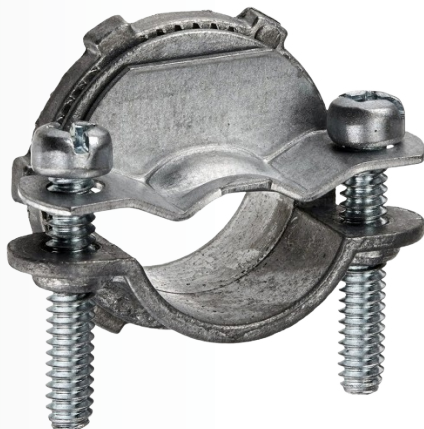
- |            |              |
|------------|--------------|
| • CPIMC050 | 012mm, 1/2   |
| • CPIMC075 | 019mm, 3/4   |
| • CPIMC100 | 025mm, 1     |
| • CPIMC125 | 031mm, 1-1/4 |
| • CPIMC150 | 038mm, 1-1/2 |
| • CPIMC200 | 050mm, 2     |
| • CPIMC250 | 062mm, 2-1/2 |
| • CPIMC300 | 075mm, 3     |
| • CPIMC400 | 100mm, 4     |

## Conector de tornillo de HG para tubería EMT



- CTEMT050 012mm, 1/2
- CTEMT075 019mm, 3/4
- CTEMT100 025mm, 1
- CTEMT125 031mm, 1-1/4
- CTEMT150 038mm, 1-1/2
- CTEMT200 050mm, 2

## Conector metálico para cable TSJ



- CTSJEMT050 1/2
- CTSJEMT075 3/4
- CTSJEMT100 1

## Union de presión para tubería EMT



- |            |              |
|------------|--------------|
| • UPEMT050 | 012mm, 1/2   |
| • UPEMT075 | 019mm, 3/4   |
| • UPEMT100 | 025mm, 1     |
| • UPEMT125 | 031mm, 1-1/4 |
| • UPEMT150 | 038mm, 1-1/2 |
| • UPEMT200 | 050mm, 2     |
| • UPEMT250 | 062mm, 2-1/2 |
| • UPEMT300 | 075mm, 3     |
| • UPEMT400 | 100mm, 4     |

## Union p/tubo rígido IMC



- |            |              |
|------------|--------------|
| • UPIMC050 | 012mm, 1/2   |
| • UPIMC075 | 019mm, 3/4   |
| • UPIMC100 | 025mm, 1     |
| • UPIMC125 | 031mm, 1-1/4 |
| • UPIMC150 | 038mm, 1-1/2 |
| • UPIMC200 | 050mm, 2     |
| • UPIMC250 | 062mm, 2-1/2 |
| • UPIMC300 | 075mm, 3     |
| • UPIMC400 | 100mm, 4     |

## Union de tornillo para tubería EMT



- UTEMT050 012mm, 1/2
- UTEMT075 019mm, 3/4
- UTEMT100 025mm, 1
- UTEMT125 031mm, 1-1/4
- UTEMT150 038mm, 1-1/2
- UTEMT300 075mm, 3

## Gaza sencilla de 1 huecos



- GEMT1H038 093mm, 3/8
- GEMT1H050 012mm, 1/2
- GEMT1H075 019mm, 3/4
- GEMT1H100 025mm, 1
- GEMT1H125 031mm, 1-1/4
- GEMT1H150 038mm, 1-1/2
- GEMT1H200 050mm, 2
- GEMT1H250 062mm, 2-1/2
- GEMT1H300 075mm, 3
- GEMT1H400 100mm, 4



## Gaza sencilla de 2 huecos



- |             |              |
|-------------|--------------|
| • GEMT2H050 | 012mm, 1/2   |
| • GEMT2H075 | 019mm, 3/4   |
| • GEMT2H100 | 025mm, 1     |
| • GEMT2H125 | 031mm, 1-1/4 |
| • GEMT2H150 | 038mm, 1-1/2 |
| • GEMT2H200 | 050mm, 2     |
| • GEMT2H250 | 062mm, 2-1/2 |
| • GEMT2H300 | 075mm, 3     |
| • GEMT2H400 | 100mm, 4     |

## Gaza tipo pera



- |         |              |
|---------|--------------|
| • GP050 | 012mm, 1/2   |
| • GP075 | 019mm, 3/4   |
| • GP100 | 025mm, 1     |
| • GP125 | 031mm, 1-1/4 |
| • GP150 | 038mm, 1-1/2 |
| • GP200 | 050mm, 2     |
| • GP250 | 062mm, 2-1/2 |
| • GP300 | 075mm, 3     |
| • GP400 | 100mm, 4     |
| • GP600 | 150mm, 6     |



## Gaza sin fin



- ST1 1
- ST112 1 1/2
- ST114 1 1/4
- ST2 2
- ST212 2 1/2
- ST3 3
- ST312 3 1/2
- ST4 4
- ST412 4 1/2
- ST5 5

## Gaza para riel



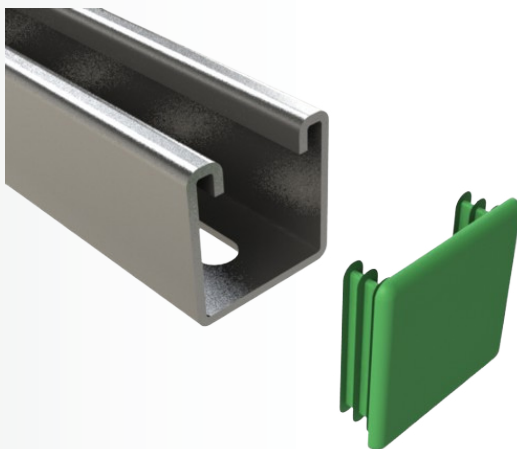
- GRU050 012mm, 1/2
- GRU075 019mm, 3/4
- GRU100 025mm, 1
- GRU125 031mm, 1-1/4
- GRU150 038mm, 1-1/2
- GRU200 050mm, 2
- GRU250 062mm, 2-1/2
- GRU300 075mm, 3

## Riel unicanal



- 4121EG (41 x 21) 1.81 mm, #14
- 4121EG15 (41 x 21) 1.5 mm, #16
- 4141EG (41 x 41) 1.81 mm, #14
- 4141EG15 (41 x 41) 1.5 mm, #16

## Tapa plastica para Riel unicanal



- BS1180R 41x41
- BS3380R 41x21

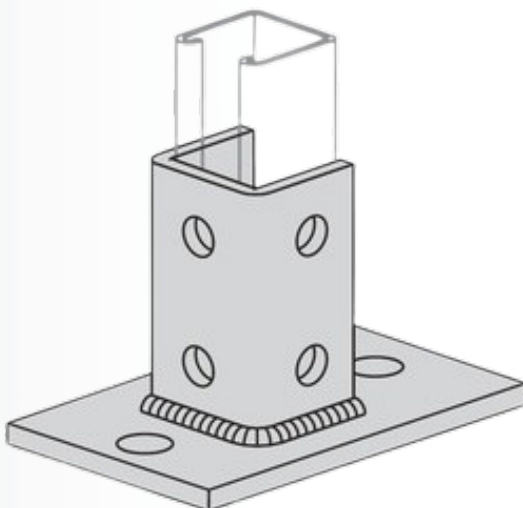
## Tee 4 huecos para riel strut



• PT203

3-1/2x5-3/8

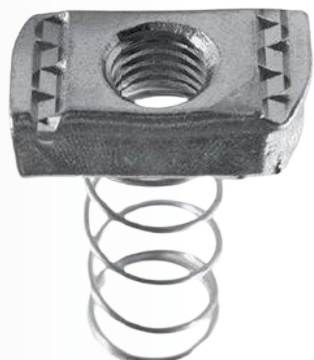
## Base para riel unicanal



• PT605

6x6x3-1/2

## Tuerca con resorte para riel unicanal



- BSC14 1/4
- BSC18 1/2

## Tornillo de acero inoxidable



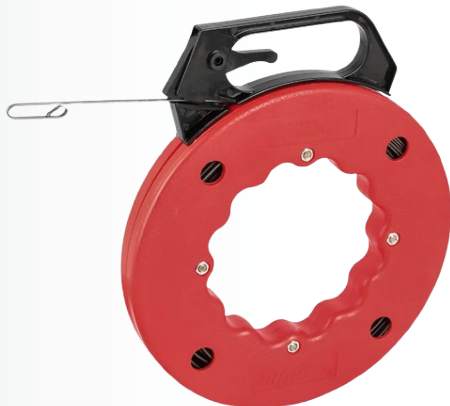
- HCX060200 10mm x 050mm, 3/8 x 2
- HCX060250 10mm x 062mm, 3/8 x 2-1/2
- HCX080100 12mm x 025mm, 1/2 x 1
- HCX080200 12mm x 50mm, 1/2 X 2
- HTX040200 06mm x 050mm, 1/4 X 2
- HTX050150 08mm x 038 mm, 5/16 X 1 1/2
- HTX050200 08mm x 50mm, 5/16 X 2
- HTX080200 12mm x 50mm, 1/2 X 2

## Sello anti Explosivo



- EYS-11 1/2
- EYS21 3/4

## Sonda metálica eléctrica con estuche



- E891R 1/8x.060x50FT
- NFWT15 15 metros

## Sonda metálica eléctrica



- MCP3215A 3.2x0.5mm 50FT
- MCP3230A 3.2x0.5mm 100FT
- MCP3260A 3.2x0.5mm 200FT

## Sonda de nylon



- NCP4515 4.5mm en 15 metros
- NCP4530 4.5mm en 30 metros





**Protelcr.com**



**Protelcr**



• **Zapote, San José**

*De la rotonda de las garantías sociales, 100mts este y 100mts sur*



• **Alajuela Centro**

*Del KFC Alajuela, 500mts oeste*



**8856-0435**



**8521-0435**



**2103-0400**



**2430-0435**